

DIP SW INSTRUCTION

DIP SW 2 (UP)

O : ON
X : OFF

DESCRIPTION	SW1	SW2	SW3	SW4	SW5	SW6
COWBOY 3					X	X
4					O	X
5					X	O
COIN 2						
1 COIN 1 PLAY		X	X	X		
2 PLAY		X	X	O		
3 PLAY		X	O	X		
6 PLAY		X	O	O		
2 COIN 1 PLAY		O	X	X		
TABLE						
TABLE	X					
UPRIGHT	O					

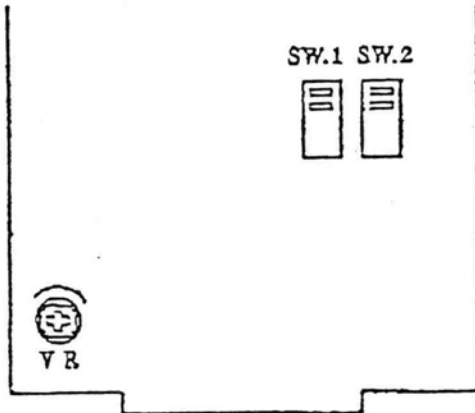
DIP SW 1 (DOWN)

DESCRIPTION	SW1	SW2	SW3	SW4	SW5	SW6
COIN1						
1 COIN 1 PLAY	X					
2 COIN 2 PLAY	O					
TEST						O
WARM UP			X			
USA		O				

Shin Nihon Kikaku Corp.

ADJUSTMENT OF GAME PC BOARD

* CONNECTOR



GND	1	2	GND
GND	3	4	GND
+5V	5	6	+5V
+5V	7	8	+5V
2P DOWN	9	10	2P UP
2P RIGHT	11	12	2P LEFT
2P POPE	13	14	2P SEOT
	15	16	
1P DOWN	17	18	1P UP
1P RIGHT	19	20	1P LEFT
1P POPE	21	22	1P SEOT
	23	24	
COIN(A)	25	26	1P START
	27	28	COIN(B)
	29	30	2P START
VIDEO G	31	32	VIDEO R
VIDEO SYNC	33	34	VIDEO BL
	35	36	SCND OUT
+12V(+13V)	37	38	+12V(+13V)
+12V(+13V)	39	40	+12V(+13V)
GND	41	42	
GND	43	44	

VR . . . TO INCREASE THE SOUNDS, TURN POT TO THE DIRECTION SHOWN WITH THE ARROW HEAD.

COMPONENT SIDE SOLDER SIDE

DIP SW.1

*+12V(+13V) IS POWER SUPPLY FOR SOUND.

SETTING	SW	1	2	3	4	5	6
COIN (B)	1 COIN 1 PLAY	OFF					
	2 COIN 1 PLAY	ON					
SCREEN DISPLAY	JAPANESE		OFF				
	ENGLISH		ON				
WARMING-UP EXERCISE	ON			OFF	OFF	OFF	
	OFF			ON			
TEST							ON

DIP SW.2

SETTING	SW	1	2	3	4	5	6
GAME STYLE	TABLE	OFF					
	UPRIGHT	ON					
COIN (A)	1 COIN 1 PLAY		OFF	OFF	OFF		
	1 COIN 2 PLAY		OFF	OFF	ON		
	1 COIN 3 PLAY		OFF	ON	OFF		
	1 COIN 6 PLAY		OFF	ON	ON		
	2 COIN 1 PLAY		ON	OFF	OFF		
COWBOY	3					OFF	OFF
	4					ON	OFF
	5					OFF	ON

SPEAKER

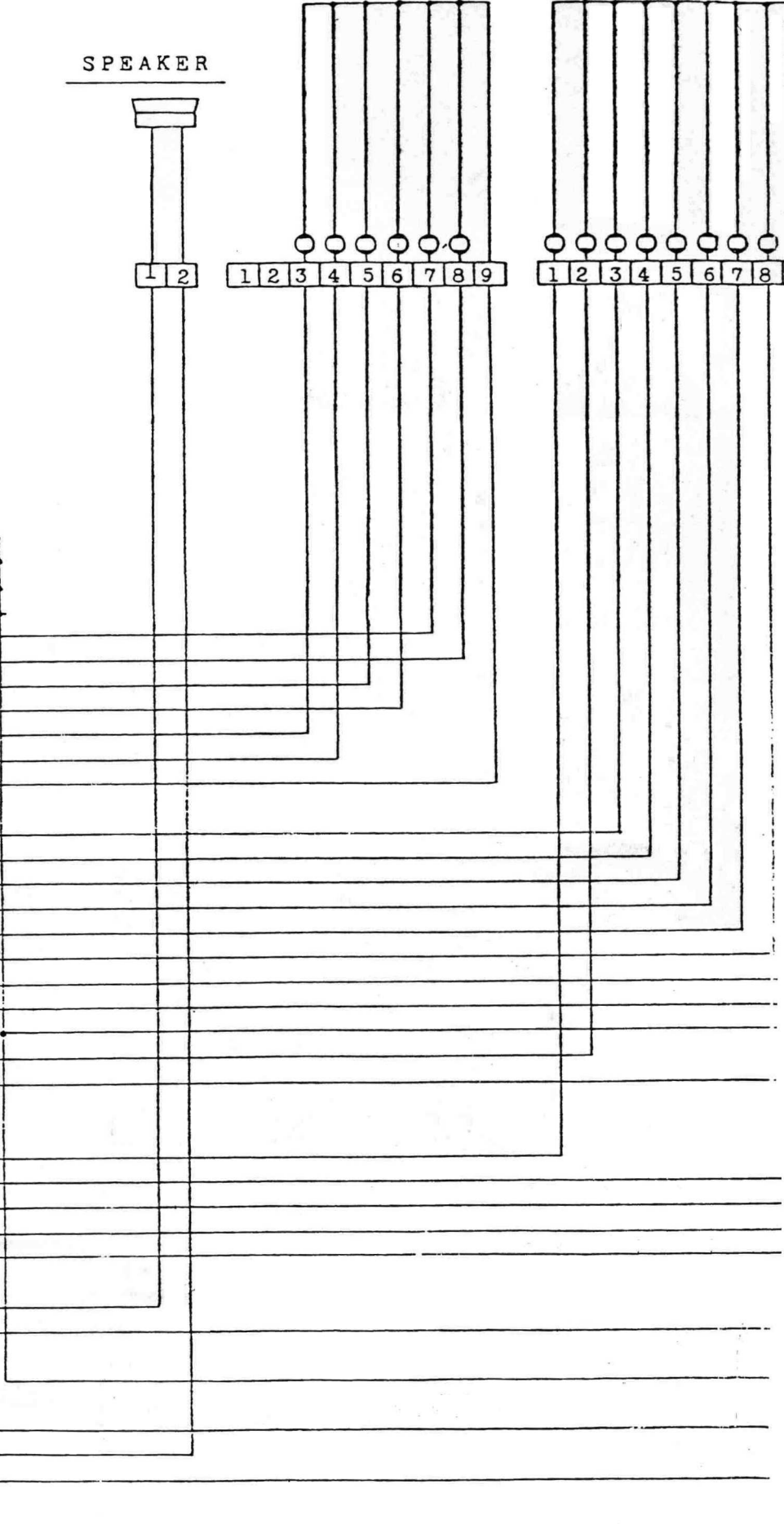


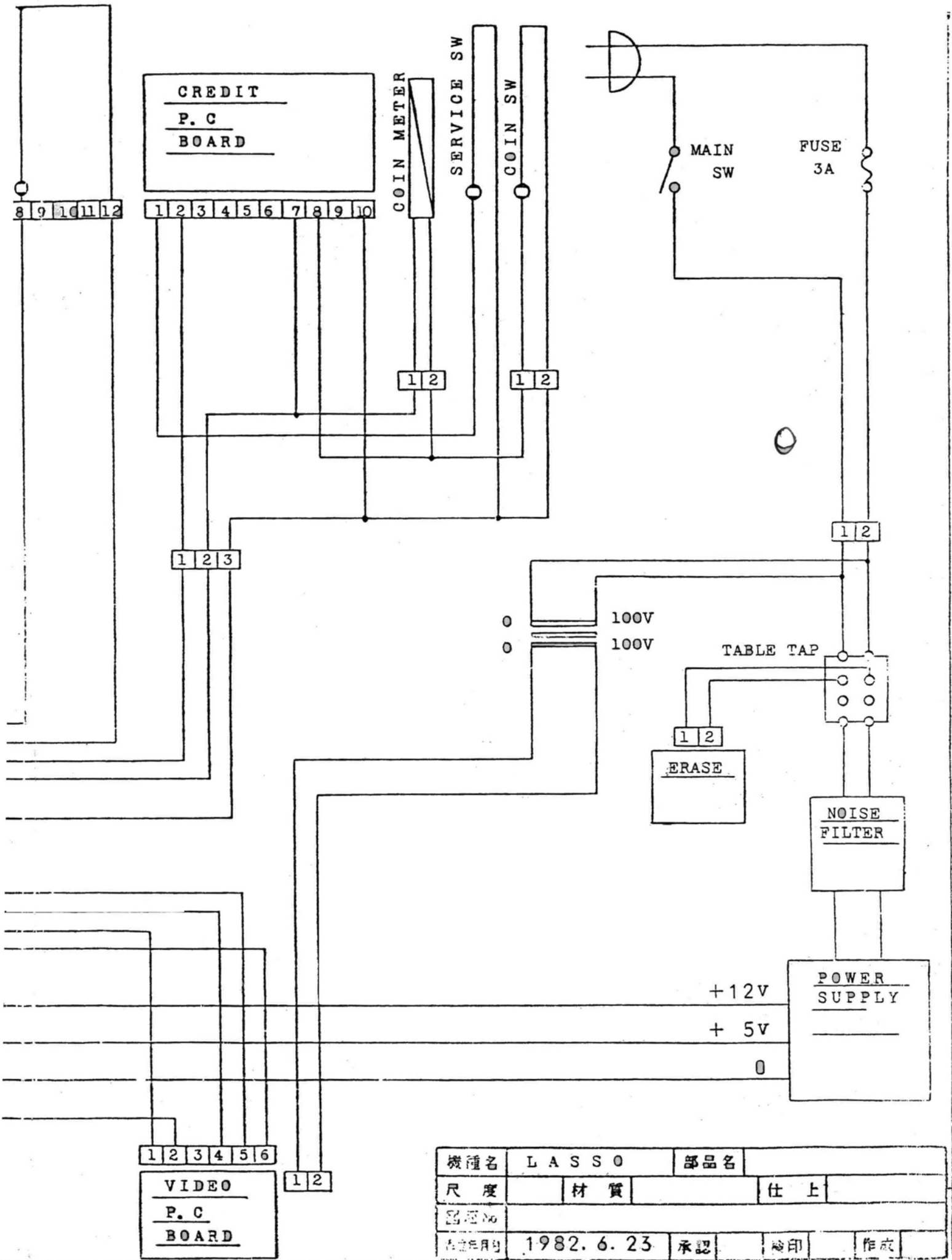
1 2

1 2 3 4 5 6 7 8 9

1 2 3 4 5 6 7 8

G N D	1
"	2
"	3
"	4
+ 5 V	5
"	6
"	7
"	8
2 P LEVER DOWN	9
" " UP	10
" " RIGHT	11
" " LEFT	12
" ROPE	13
" SHOT	14
	15
	16
1 P LEVER DOWN	17
" " UP	18
" " RIGHT	19
" " LEFT	20
" ROPE	21
" SHOT	22
	23
	24
COIN IN	25
1 PLAY	26
	27
COIN IN	28
	29
2 PLAY	30
GREEN	31
RED	32
SYNC	33
BLUE	34
	35
AUDIO OUT PUT	36
+ 12 V	37
"	38
"	39
"	40
GND	41
"	42
"	43
"	44





機種名	LASSO	部品名	
尺度		材質	仕上
図号			
作成年月	1982. 6. 23	承認	検印 作成